



# SI Airbrush for Hobbies & Crafts Single Action / Internal Mix

**WARNING:** Spray materials may be harmful if inhaled or allowed to come into contact with the skin or eyes. Consult the product label and Material Safety Data Sheet supplied for the spray material. Follow all safety precautions. **CAUTION:** Well Ventilated Area Required to remove fumes, dust or overspray. Secure airhose to Airbrush finger tight for safety and to prevent air leaks.  
**Maximum Air Pressure 75 P.S.I.**

### INTRODUCTION:

The SI Airbrush is simple in design and operation. Ideal for Hobbyists and Crafters that are just learning to use an Airbrush. **Available off the shelf as size #3 with size #1 and #5 components available for your assembly. PTFE Packings.**

### OPERATING INSTRUCTIONS:

Adjustments in the flow of color are made by turning the Needle Chuck (#9) in to decrease, or out for increased flow. To spray, press the Trigger (#6). To disassemble, loosen the Needle Locknut (#10) by holding the Needle Chuck (#9) firmly so it will not turn. Unscrew the Needle Chuck from the Handle (#7) and remove the Handle. Now carefully remove the Needle (#16) and then the Finger Button Assembly. The Head (#2) and Tip (#3) may now be removed. Reassembly should always be done with care, especially when reinserting the Needle. Reverse the procedure used for disassembly. After the Needle has been gently pushed forward into the tip, assemble the Needle Chuck (#9) and

screw it in firmly. Hold the Needle Chuck while screwing the Needle Locknut (#10) down to lock the needle. Caution should always be used when reinserting the Needle - too much pressure can damage the tip.

### ADJUSTING OR REPLACING WORN PACKING WASHER:

1. If PTFE Packing & Packing Nut (#5) become worn or loose they must be tightened or replaced.
2. When replacing your PTFE Packing press Packing into the Packing Nut (#5). Use a small screwdriver to tighten packing nut into shell until it is tight then back out one-half turn, may vary.
3. Now insert Trigger and then Needle - you should feel a slight resistance to the needle as it goes through packing. If too loose or too tight adjust the Packing Nut with screwdriver until you feel some slight resistance. Replace the Needle Chuck and the Needle Locknut.

### Head Sizes - Patterns - Fluid Thickness

- Size 1**
- Tip size .022 inches or .55mm
  - Used for fine detail. Pencil Line to 1" patterns
  - Paint must be thinned further than 3 & 5 heads

- Size 3**
- Tip size .029 inches or .73mm
  - Less detail than the size 1 head. 1/32" to 1-1/2" patterns
  - Can spray slightly thicker paint than size 1 head

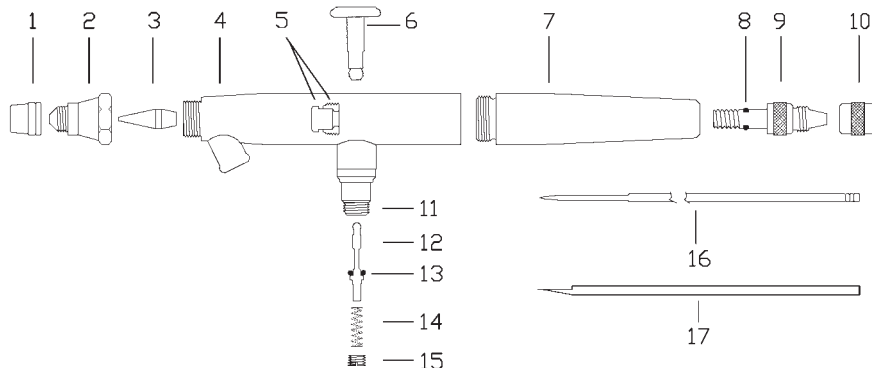
- Size 5**
- Tip Size .042 inches or 1.06mm
  - Less detail than the size 3 head. 1/16" to 2" patterns
  - Can spray slightly thicker paint than size 3 head

### Working Pressures:

- Operating pressures 20-55 PSI; Maximum pressure 75 PSI
- 20-30 PSI is best for detail spraying w/ properly thinned paint
- Use the higher pressures for thicker material where fine detail is not critical or thin the paint to allow lower pressures.

### Equipment Set-up:

- The Airbrush is held in the same manner as a pen, with the index finger comfortably over the Trigger.
1. Attach airhose to air supply and to airbrush. If using a regulator, set pressure between 20 -30 PSI.
  2. Attach the color cup or bottle assembly to color socket.
  3. Spray with needle protecting cap #1 on or remove it for finer detail spraying.

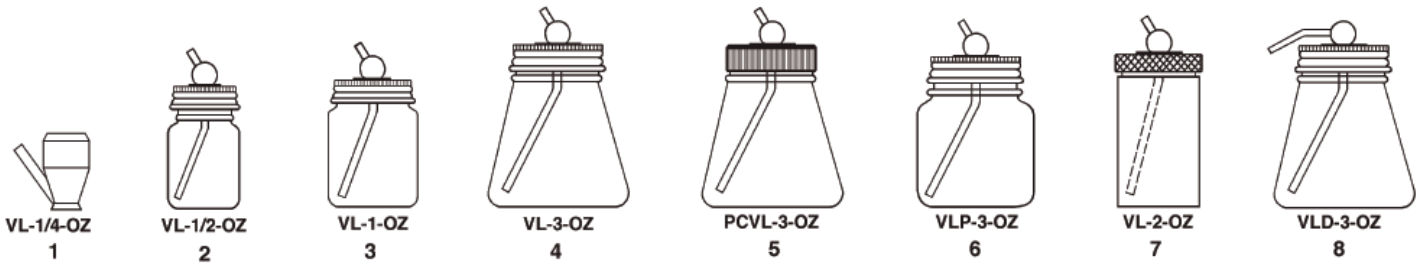


No.	Part No.	Description
1.	XI-41	Needle Protecting Cap
2.	VLH-1, 3 or 5	Head
3.	VLT-1, 3 or 5	Tip
4.	SA-210A	Shell Assembly
5.	MU-612	PTFE Packing & Packing Nut (sold as set)
6.	SI-10	Trigger
7.	SI-9	Handle

No.	Part No.	Description
8.	3A-4	"O" Ring
9.	SI-7	Needle Chuck
10.	SI-8	Needle Locknut
11.	MIL-9	Valve Casing
12.	VL-214	Valve Plunger (with A-53)
13.	A-53	Valve "O" Ring (pack of 6)
14.	A-22	Air Valve Spring
15.	A-23R	Air Valve Nut
16.	SIN-1, 3, or 5	Needle
17.	VL-54	Reamer (Optional)

Paasche Airbrush Company  
4311 North Normandy Avenue  
Chicago, IL 60634-1395  
Phone: 773-867-9191 • Fax: 773-867-9198  
Website: paascheairbrush.com  
E-Mail: info@paascheairbrush.com

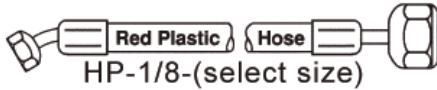
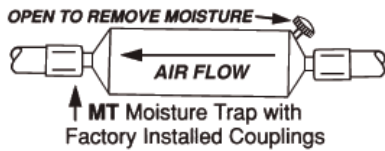
## SI AIRBRUSH CUP & BOTTLE ASSEMBLIES



NO.	PART NO.	DESCRIPTION	PCVL3	Nylon Cover Assembly
1.	VL-1/4-OZ	Metal Color Cup (7cc)	VF-14M	Metal Color Tube
2.	VL-1/2-OZ	Color Bottle Assembly (14.5cc)	3-JG	Gasket
	VL1/2	1/2 oz. Cover Assembly	6. VLP-3-OZ	Plastic Bottle Assembly (88cc)
	VF-17	Color Tube	VL3	3 oz. Cover Assembly
3.	VL-1-OZ	Color Bottle Assembly (29cc)	VF-14	Color Tube
	VL1	1 oz. Cover Assembly	3-JG	Gasket
	VF-17	Color Tube	7. VL-2-OZ	Aluminum Cup Assembly (60cc)
	5-G	Gasket	VF-2-5/8	Color Tube
4.	VL-3-OZ	Color Bottle Assembly (88cc)	3-JG	Gasket
	VL3	3 oz. Cover Assembly	8. VLD-3-OZ	Decorator Bottle Assembly (88cc)
	VF-14	Color Tube	VLD3	3 oz. Cover Assembly
	3-JG	Gasket	VF-14	Color Tube
5.	PCVL-3-OZ	Nylon Cover/Metal Tube Bottle Assem. (88cc)	3-JG	Gasket

## RECOMMENDED COMPRESSORS AND ACCESSORIES

### HOSE, MOISTURE TRAP AND FITTINGS



AC-20 (to airbrush) AC-1/8 (compressor)



#### D500 AIR COMPRESSOR (1/8 H.P.) (ETL Listed)

Economical and suitable for all airbrushes spraying properly thinned fluids. It is capable of delivering up to 35 P.S.I. operating pressure depending on airbrush being used. The Paasche D500 is an oilless piston compressor.

It operates on 110-120 Volt, 1 phase, 60Hz, and delivers .4 C.F.M. @ 20 P.S.I.

Shipping Weight: 8 lbs. (3.6kg)

#### D220R AIR COMPRESSOR (1/6 H.P.), with Switch & R-75 Regulator

Economical and suitable for all airbrushes spraying properly thinned fluids. It is capable of delivering 30 - 45 P.S.I. operating pressure depending on airbrush being used. The Paasche D220R is an oilless diaphragm unit and comes with the R-75 Regulator/Filter with gauge. It operates on 110-120 Volt, 1 phase, 60Hz, and delivers .7 C.F.M. @ 20 P.S.I. R75 Regulator will regulate up to 45 P.S.I. depending on usage (intermittent or constant) and size of airbrush being used.

Shipping Weight: 11 lbs. (5kg)



#### DA300R AIR COMPRESSOR (1/6 H.P.)

with Switch CSA approved & R-75 Regulator

1/8 H.P. Piston Compressor with Auto shutoff. Compressor shuts off when airbrush is not in use. Operating pressure is 20 - 30 P.S.I. depending on airbrush being used, delivers up to 35 psi. 120 VAC, 1 Ph, 60 Hz, 1.4 A, 20L/Min. (0.7CFM), Noise 53dB, 1720 rpm.

Shipping Weight: 9.14 lbs. (4.6 kgs)

## TROUBLESHOOTING:

### Bubbling in cup

1. VLH Head #3 needs to be wrench tightened

### Skipping or spitting:

- |                                |   |
|--------------------------------|---|
| 1. Paint too thick             | -Reduce with thinner  |
| 2. Tip not seated              | -Tighten VLH Head with wrench   |
| 3. Tip split or damaged needle | -Replace tip or needle  |
| 4. Needle or tip dirty         | -Clean and replace  |
| 5. Air pressure too low        | -Increase pressure or thin paint further (need 20 or more PSI to spray most paints) |

### Airbrush not spraying:

- |                             |   |
|-----------------------------|---|
| 1. Clogged tip              | -Remove tip and clean   |
| 2. Needle not retracted     | -Adjust back knob   |
| 3. Loose VLH Head           | -Wrench tighten   |
| 4. Low air pressure         | -Increase pressure (need 20 or more PSI to spray most paints) |
| 5. Bottle vent hole plugged | -Use needle or pin to clear air hole                          |

### Sprays double line or heavy to one side:

- |                             |   |
|-----------------------------|---|
| 1. Split tip or bent needle | - Replace   |
| 2. Dirty tip or needle      | - Remove and clean  |
| 3. Tip not centered in head | - Remove head and clean airbrush seat and tip seat then reassemble. Use wrench for head |

### Jammed trigger or poor trigger motion:

1. Lubricate needle and trigger - Apply lubricant to needle shaft and trigger slot area