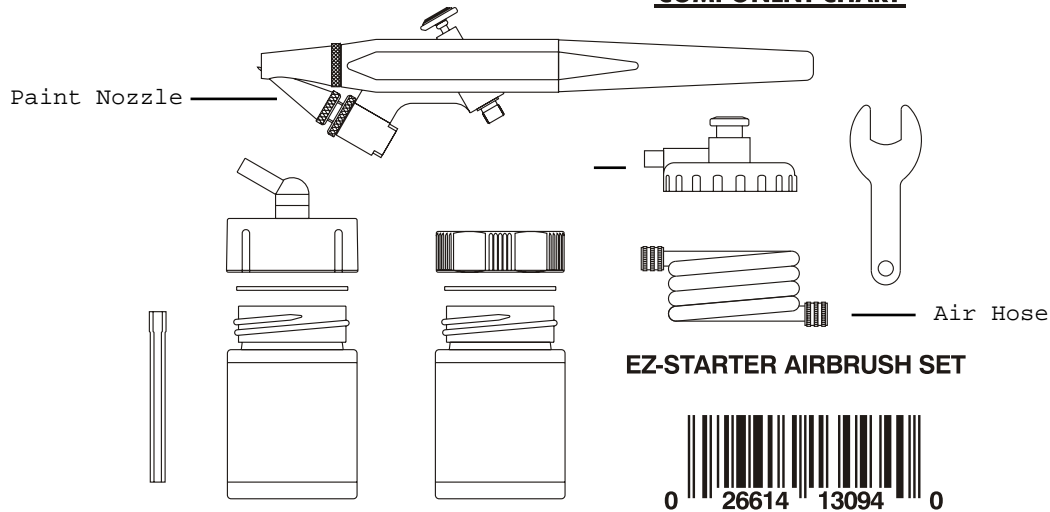


PAASCHE®
COMPONENT CHART



EZ-1-OZ BOTTLE ASSEMBLY only part sold for this set

TO ADJUST PAINT FLOW:

For more paint, turn paint nozzle tip up (counter-clockwise). For less paint, turn paint nozzle tip down (clockwise).

Important: paint tip should not be adjusted above middle of hole in air tip, this is position of maximum paint flow. Turn paint tip down from mid-point to adjust paint flow and pattern.

TO CLEAN (IS VERY IMPORTANT)

Unscrew paint jar and empty remaining paint then wipe out with rag or paper towel. Fill jar half full with thinner and spray for five seconds or more. Pour out remaining thinner and again wipe out jar till clean.

Make sure no paint is left around threads of paint nozzle. It can be unscrewed and wiped clean.

If necessary, paint nozzle tip can be unclogged by inserting a straight pin.

Paasche Airbrush Company
4311 North Normandy Ave.
Chicago, IL 60634-1395 • Phone: 773-867-9191 - Fax: 773-867-9198
Website: www.paascheairbrush.com • E-Mail: info@paascheairbrush.com

KEEP YOUR AIRBRUSH CLEAN, IT WILL WORK BETTER AND LAST LONGER

Made in China for Paasche Airbrush Co.